

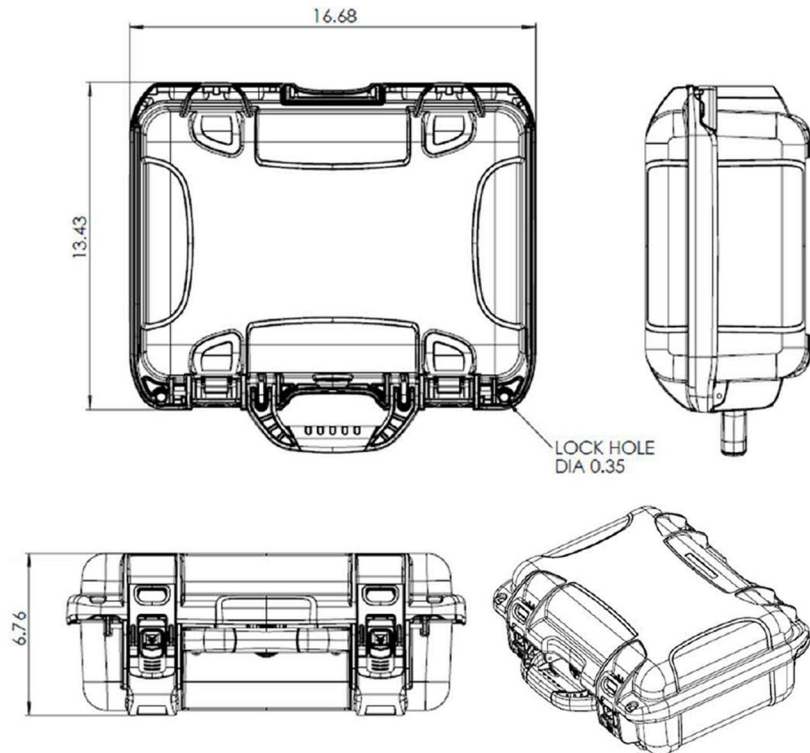


SDK R1900

The SDK by Source Inc & Parsec is an IP67 ruggedized portable network case powered by Ericsson. The SDK features the latest 5G technology and speeds with a high-gain LTE antenna built into the case lid for superior connectivity. With MIMO Wi-Fi, Ethernet connectivity embedded. When staying connected matters most, the SDK Pro 5G keeps you connected in the harshest of conditions.

Case Specifications:

- LTE CAT 20 (up to 2Gbps Down, 150Mbps Up)
- GPS - aGNSS
- Wi-Fi 6 Simultaneous 5Ghz/2.4Ghz
- ChargeTech Premium 27,000mAh
- Multiple data interfaces: Ethernet, Wi-Fi
- Multiple power interfaces: 120v, 12v-120v "Inverter"
- Cloud services with central management
- On-board memory to support edge processing
- Designed and developed in U.S.A.



FOR MORE INFORMATION, PLEASE CONTACT SOURCE INC.